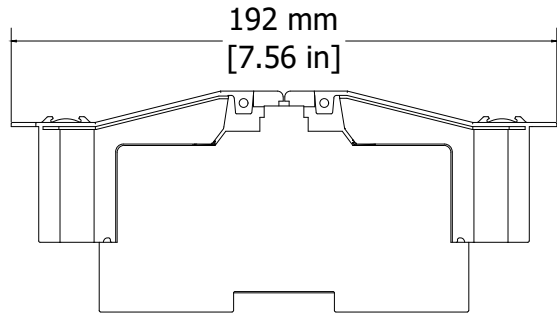
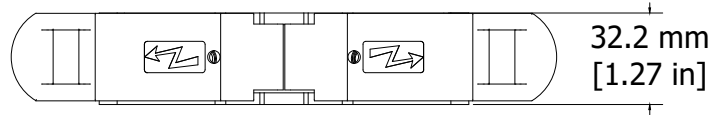
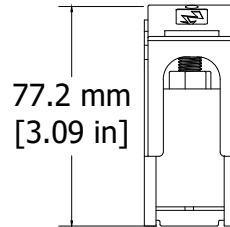


REVISIONS FOR DWG # PTB70/95 , PTB70/95SH

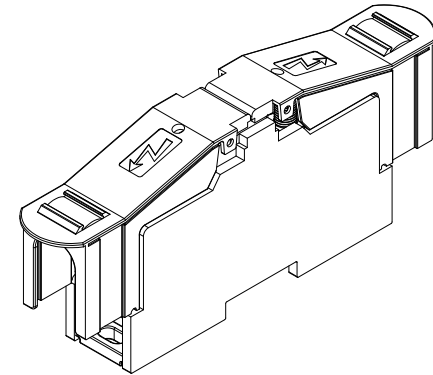
REV	CH.NO.	DESCRIPTION	DATE	REVISED BY
-	-	ORIGINAL DESIGN	08/15/16	ARON G



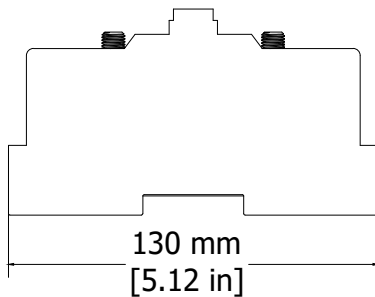
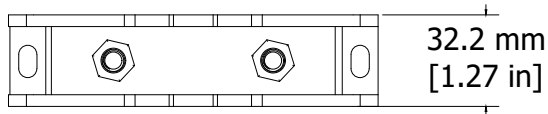
PTB70/95SH



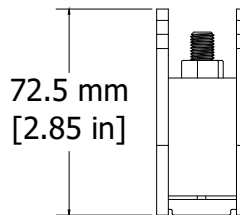
77.2 mm  
[3.09 in]



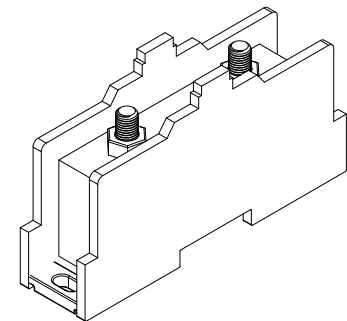
PTB70/95SH



PTB70/95



72.5 mm  
[2.85 in]



PTB70/95

UNLESS OTHERWISE SPECIFIED  
 • ALL DIMENSIONS ARE IN MILLIMETERS  
 • THIRD ANGLE PROJECTION

TOLERANCE	
XX	± 1.00 mm
XX.X	± 0.50 mm
XX.XX	± 0.20 mm
ALL	± XX mm

C-ITEM

This Drawing is the property of

**Altrech Corp.**

35 Royal Road  
 Flemington NJ 08822-6000  
 (908) 806-9400 • Fax (908) 806-9490

AND IS A CONFIDENTIAL DISCLOSURE  
 LENT WITHOUT CONSIDERATION OTHER  
 THAN THE BORROWER'S AGREEMENT  
 THAT IT SHALL NOT BE REPRODUCED,  
 COPIED, LENT, OR DISPOSED OF  
 DIRECTLY OR INDIRECTLY NOR USED  
 FOR ANY PURPOSE OTHER THAN THAT  
 FOR WHICH IT IS SPECIFICALLY  
 FURNISHED.

TITLE: PTB Series Terminal Block (Power Series)  
 PN: PTB70/95 , PTB70/95SH

DRAWN BY: Aron Gyorgypal	08/15/16	DRAWING NO.:	M-Cad-2dr-PTB70/95(SH)	REV.:	-
CHECKED BY: Markus K	08/15/16	SCALE:	-	SHEET:	1 OF: 1
RELEASED BY: Laszlo G	08/15/16				