

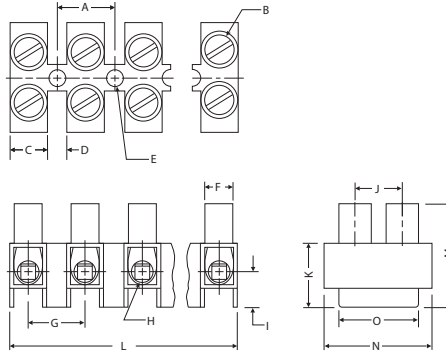
FEED-THROUGH EUROSTRIPS® 300V and 600V Standoff Feet Panel Mount

For wire-to-wire connections in HVAC, appliance, equipment, power distribution and other industrial applications with restricted budget and space requirements.

Easy to use double row terminal strips are a cost-effective alternative to barrier strips or other types of terminal blocks. Simply strip the wire, insert, and tighten the screw.^a Eurostrips® feature tubular screw clamps, with or without wire protectors, and recessed screws and contacts to prevent shocks and shorts. The wire protectors include an integral wire stop in the center of the terminal. The stainless steel wire protectors exhibit excellent memory and the wire stop insures the most efficient connection.

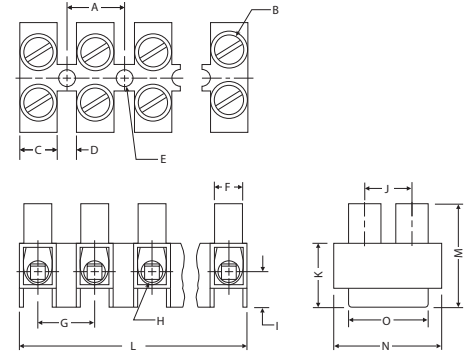
Eurostrips described on this and the following page are available with standoff feet for increased wiring efficiency. They can be panel mounted or left to free float. Offered in easy to cut 12 pole strips, they can also be ordered precut with the required number of poles.

- Tubular Screw Clamp
- With or Without Wire Protectors
- Panel Mount or Free Float
- Housing Material: Polyamide 6.6
- Color: Opaque White
- Marking Plates or Factory Imprinted



TSF1.5

Standoff Feet
Pole Spacing 8mm (.315)
Mounting Hole Diameter 2.8mm (.110)
Stripping Length 5mm (.197)



TSF2.5

Standoff Feet
Pole Spacing 10mm (.394)
Mounting Hole Diameter 3.5mm (.138)
Stripping Length 6mm (.236)

Ratings

IEC/VDE

UL (File No. E103245)

CSA (File No. 038962 0 000)

Wire Range

1.5mm²

22-12 AWG

22-16 AWG

Current

18A

20A

15A

Voltage

380V

600V

300V

Wire Range

2.5mm²

22-10 AWG

18-12 AWG

Current

26A

30A

30A

Voltage

380V

600V

600V

Ordering Information

No. of Poles

Type

Cat. No.

Length (L)
mm (in.)

Std. Pk.

Type

Cat. No.

Length (L)
mm (in.)

Std. Pk.

Eurostrip®, Standoff Feet with Wire Protector

2	TSF1.5/2wp	40.102	13.6 (.53)	100
3	TSF1.5/3wp	40.103	21.5 (.85)	100
4	TSF1.5/4wp	40.104	29.5 (1.16)	100
5	TSF1.5/5wp	40.105	37.4 (1.47)	100
6	TSF1.5/6wp	40.106	45.4 (1.79)	50
7	TSF1.5/7wp	40.107	53.3 (2.10)	50
8	TSF1.5/8wp	40.108	61.3 (2.41)	50
9	TSF1.5/9wp	40.109	69.2 (2.72)	50
10	TSF1.5/10wp	40.110	77.2 (3.04)	50
11	TSF1.5/11wp	40.111	85.1 (3.35)	50
12	TSF1.5/12wp	40.112	93.0 (3.66)	50

TSF2.5/2wp	40.302	17.0 (.67)	100
TSF2.5/3wp	40.303	27.0 (1.06)	100
TSF2.5/4wp	40.304	37.0 (1.46)	100
TSF2.5/5wp	40.305	47.0 (1.85)	100
TSF2.5/6wp	40.306	57.0 (2.24)	50
TSF2.5/7wp	40.307	67.0 (2.64)	50
TSF2.5/8wp	40.308	77.0 (3.03)	50
TSF2.5/9wp	40.309	87.0 (3.43)	50
TSF2.5/10wp	40.310	97.0 (3.82)	50
TSF2.5/11wp	40.311	107.0 (4.21)	50
TSF2.5/12wp	40.312	117.0 (4.61)	50

Eurostrip®, Standoff Feet without Wire Protector^b

2	TSF1.5/2	40.152	13.6 (.53)	100
3	TSF1.5/3	40.153	21.5 (.85)	100
4	TSF1.5/4	40.154	29.5 (1.16)	100
5	TSF1.5/5	40.155	37.4 (1.47)	100
6	TSF1.5/6	40.156	45.4 (1.79)	50
7	TSF1.5/7	40.157	53.3 (2.10)	50
8	TSF1.5/8	40.158	61.3 (2.41)	50
9	TSF1.5/9	40.159	69.2 (2.72)	50
10	TSF1.5/10	40.160	77.2 (3.04)	50
11	TSF1.5/11	40.161	85.1 (3.35)	50
12	TSF1.5/12	40.162	93.0 (3.66)	50

TSF2.5/2	40.352	17.0 (.67)	100
TSF2.5/3	40.353	27.0 (1.06)	100
TSF2.5/4	40.354	37.0 (1.46)	100
TSF2.5/5	40.355	47.0 (1.85)	50
TSF2.5/6	40.356	57.0 (2.24)	50
TSF2.5/7	40.357	67.0 (2.64)	50
TSF2.5/8	40.358	77.0 (3.03)	50
TSF2.5/9	40.359	87.0 (3.43)	50
TSF2.5/10	40.360	97.0 (3.82)	50
TSF2.5/11	40.361	107.0 (4.21)	50
TSF2.5/12	40.362	117.0 (4.61)	50

For Accessories, please refer to pages 50, 51

Dimensions mm (in.)

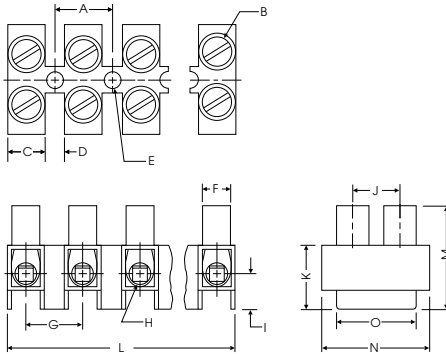
A = 8.0 (.315)	E = Ø2.8 (.110)	J = 7.5 (.296)
B = M2.5 x 4.3	F = Ø5.35 (.211)	K = 10.1 (.398)
C = 5.6 (.221)	G = 8.0 (.315)	M = 17.0 (.670)
D = 2.4 (.095)	H = Ø3.0 (.118)	N = 18.2 (.716)
	I = 6.1 (.240)	O = 12.0 (.472)

Dimensions mm (in.)

A = 10.0 (.394)	E = Ø3.5 (.138)	J = 9.5 (.374)
B = M3 x 5.8	F = Ø5.7 (.225)	K = 12.0 (.472)
C = 6.4 (.252)	G = 10.0 (.394)	M = 19.4 (.764)
D = 3.5 (.138)	H = Ø3.6 (.142)	N = 22.3 (.879)
	I = 7.4 (.292)	O = 14.0 (.552)

^aClamp screws are zinc chromated steel. Stainless steel or nickel plated brass screws are available, consult Altech for ordering information.

^bUse for solid wire or wire with a ferrule.



TSF6

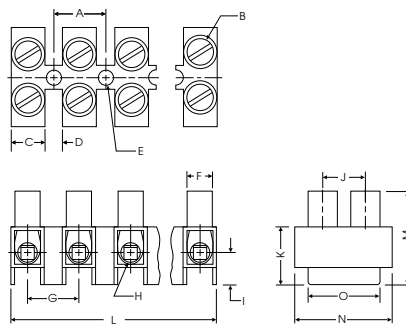
Standoff Feet
 Pole Spacing 12mm (.472)
 Mounting Hole Diameter 4.2mm (.165)
 Stripping Length 7mm (.276)

Wire Range	Current	Voltage
6mm ²	44A	380V
20-8 AWG	40A	600V
18-10 AWG	40A	600V

Type	Cat. No.	Length (L) mm (in.)	Std. Pk.
TSF6/2wp	40.502	20.0 (.79)	100
TSF6/3wp	40.503	32.0 (1.26)	100
TSF6/4wp	40.504	44.0 (1.73)	100
TSF6/5wp	40.505	56.0 (2.21)	100
TSF6/6wp	40.506	68.0 (2.68)	50
TSF6/7wp	40.507	80.0 (3.15)	50
TSF6/8wp	40.508	92.0 (3.62)	50
TSF6/9wp	40.509	104.0 (4.10)	50
TSF6/10wp	40.510	116.0 (4.57)	25
TSF6/11wp	40.511	128.0 (5.03)	25
TSF6/12wp	40.512	140.0 (5.51)	25
TSF6/2	40.552	20.0 (.79)	100
TSF6/3	40.553	32.0 (1.26)	100
TSF6/4	40.554	44.0 (1.73)	100
TSF6/5	40.555	56.0 (2.21)	100
TSF6/6	40.556	68.0 (2.68)	50
TSF6/7	40.557	80.0 (3.15)	50
TSF6/8	40.558	92.0 (3.62)	50
TSF6/9	40.559	104.0 (4.10)	50
TSF6/10	40.560	116.0 (4.57)	25
TSF6/11	40.561	128.0 (5.03)	25
TSF6/12	40.562	140.0 (5.51)	25

Dimensions mm (in.)

A = 12.0 (.472)	E = Ø4.4 (.173)	J = 9.6 (.378)
B = M3.5 x 7	F = Ø6.8 (.268)	K = 12.5 (.492)
C = 7.6 (.299)	G = 12.0 (.472)	M = 20.9 (.823)
D = 4.3 (.169)	H = 4.2 (.165)	N = 23.0 (.906)
	I = 8.5 (.335)	O = 15.8 (.622)



TSF16

Standoff Feet
 Pole Spacing 15.1mm (.595)
 Mounting Hole Diameter 4.0mm (.157)
 Stripping Length 8mm (.315)

Wire Range	Current	Voltage
16mm ²	82A	660V
14-6 AWG	63A	600V
18-6 AWG	65A	600V

Type	Cat. No.	Length (L) mm (in.)	Std. Pk.
TSF16/2wp	40.702	25.0 (.98)	40
TSF16/3wp	40.703	40.0 (1.58)	40
TSF16/4wp	40.704	55.0 (2.17)	40
TSF16/5wp	40.705	70.5 (2.28)	40
TSF16/6wp	40.706	86.0 (3.39)	20
TSF16/7wp	40.707	101.0 (3.98)	20
TSF16/8wp	40.708	116.0 (4.57)	20
TSF16/9wp	40.709	131.0 (5.16)	10
TSF16/10wp	40.710	146.0 (5.75)	10
TSF16/11wp	40.711	161.0 (6.34)	10
TSF16/12wp	40.712	176.0 (6.93)	10
TSF16/2	40.752	25.0 (.98)	40
TSF16/3	40.753	40.0 (1.58)	40
TSF16/4	40.754	55.0 (2.17)	40
TSF16/5	40.755	70.5 (2.28)	40
TSF16/6	40.756	86.0 (3.39)	20
TSF16/7	40.757	101.0 (3.98)	20
TSF16/8	40.758	116.0 (4.57)	20
TSF16/9	40.759	131.0 (5.16)	10
TSF16/10	40.760	146.0 (5.75)	10
TSF16/11	40.761	161.0 (6.34)	10
TSF16/12	40.762	176.0 (6.93)	10

Dimensions mm (in.)

A = 15.1 (.595)	E = Ø4.2 (.165)	J = 11.0 (.433)
B = M5 x 8	F = Ø8.0 (.315)	K = 16.5 (.650)
C = 9.6 (.378)	G = 15.1 (.595)	M = 25.8 (1.017)
D = 5.4 (.213)	H = Ø6.0 (.236)	N = 26.3 (1.035)
	I = 10.4 (.410)	O = 15.1 (.595)