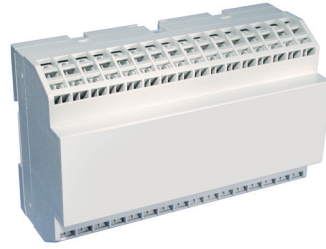


### 64 Terminal

Vertical PCB  
Spring Clamp



#### TECHNICAL INFORMATION

<b>Electrical:</b> 10A, 300V, 26-14 AWG	<b>Terminal Type:</b> Spring Cage Clamp
<b>Housing Material:</b> Glass-filled Polycarbonate	<b>Terminal Screw Size:</b> -
<b>Temperature Range:</b> Up to 125°C (257°F)	<b>Recommended Torque:</b> -
<b>Flammability Rating:</b> UL94 V-O	<b>Max. PCB's:</b> (8) Vertical
<b>Color:</b> Light Gray	<b>Mounting:</b> 35mm DIN Rail or optional panel mounting*

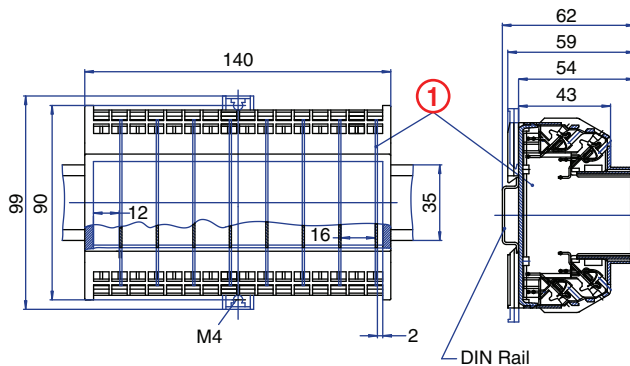
#### ORDERING INFORMATION

Part Number	Type	Description	PCB Connection
91.600	KU4041B	Right Angle Pins	Machine Solder/ Wire Jumper

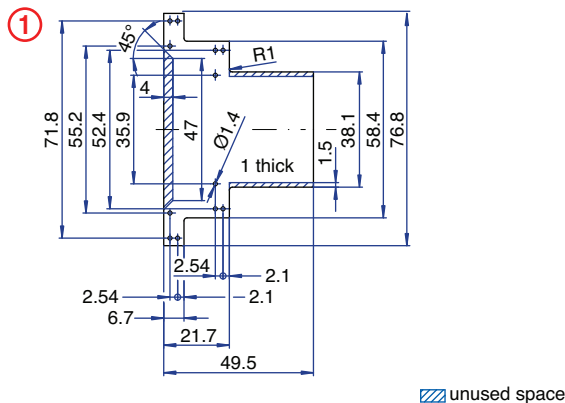
#### ACCESSORIES

Accessories	Part Number	Type
1 Meter DIN Rail	2511120/1M	TS35x7.5/1M
*Panel Mount Tab	93.001.5	PMA/KU

#### ENCLOSURE DRAWING (To convert to inches divide by 25.4.)

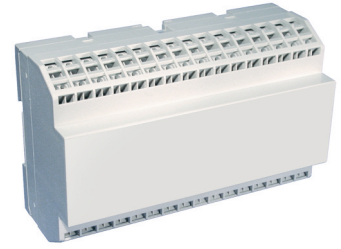


#### PCB DRAWING (To convert to inches divide by 25.4.)



### 64 Terminal

Horizontal PCB  
Spring Clamp



#### TECHNICAL INFORMATION

<b>Electrical:</b> 10A, 300V, 26-14 AWG	<b>Terminal Type:</b> Spring Cage Clamp
<b>Housing Material:</b> Glass-filled Polycarbonate	<b>Terminal Screw Size:</b> -
<b>Temperature Range:</b> Up to 125°C (257°F)	<b>Recommended Torque:</b> -
<b>Flammability Rating:</b> UL94 V-O	<b>Max. PCB's:</b> (1) Horizontal
<b>Color:</b> Light Gray	<b>Mounting:</b> 35mm DIN Rail or optional panel mounting*

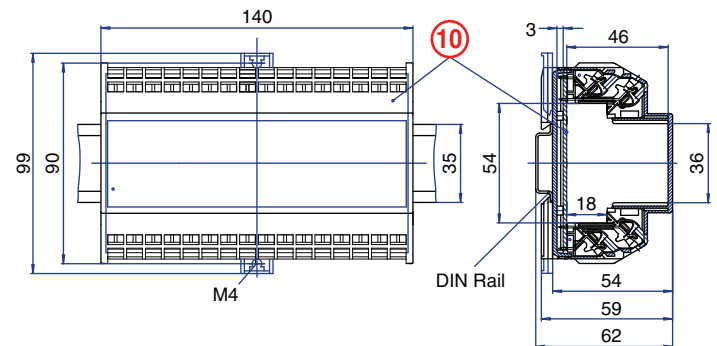
#### ORDERING INFORMATION

Part Number	Type	Description	PCB Connection
91.610	KU4041C	Straight Pins	Machine Solder

#### ACCESSORIES

Accessories	Part Number	Type
1 Meter DIN Rail	2511120/1M	TS35x7.5/1M
*Panel Mount Tab	93.001.5	PMA/KU

#### ENCLOSURE DRAWING (To convert to inches divide by 25.4.)



#### PCB DRAWING (To convert to inches divide by 25.4.)

